

POWER SERIES ^{Plus}

DIGITAL SWITCHBOARD METERS



YOKOGAWA ◆

POWER SERIES^{Plus}

DIGITAL SWITCHBOARD METER

Other Catalogs Available . . .

Power Transducers



Yokogawa Juxta Power Transducers (models 2469, 2489) are UL recognized and enclosed in a rugged case with either 0.2% or 0.5% accuracy.

Current & Potential Transformers



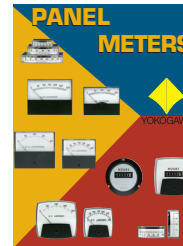
Yokogawa CT's and PT's provide high accuracy inputs to transformer-rated AC switchboard instruments and power transducers.

Hybrid Electronic Meter



The 2302 hybrid electronic meter was designed for a variety of applications where both analog and digital display information is required. Available with either yellow or green bargraph and backlighting, or monochromatic LCD bargraph with backlighting.

Panel Meters



Options Available

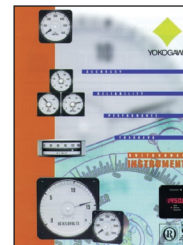
Yokogawa has the broadest line of panel meters available today. In many cases, our panel meters are completely interchangeable with other manufacturer's products. UL and IP54 splash resistant models are available.

Digital Panel Meters



The 2350 Series Digital Panel meters provide high accuracy read out of AC and DC inputs and are capable of retransmitting analog signals to remote monitors, recorders and control systems. Available in 1/8 and 1/4 DIN case with single and multifunction capability.

Switchboard Instruments

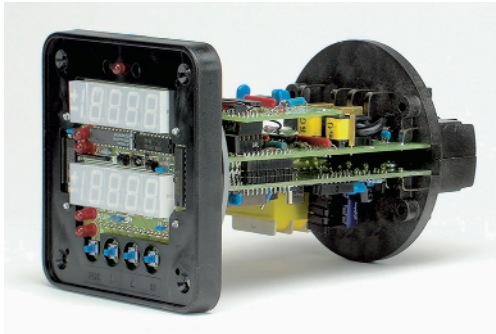


Yokogawa is the world leader in Analog Switchboard Instruments. Our catalog contains the entire switchboard line including AB/DB 14, 16, 17 and 40, and type 180 edge-wise. It also includes the 2180 mini-switchboard meters, potential transformers, transducers and digital switchboard meters.



POWER SERIES^{Plus}

DIGITAL SWITCHBOARD METER



2492 with cover removed

The POWER SERIES^{Plus} digital switchboard meter was developed by Yokogawa Corporation of America to provide our customers with a versatile AC digital power meter. The heart of our POWER SERIES^{Plus} meter is a programmable ASIC Power Measurement Chip (PMC) which was jointly developed by the General Electric Company and Yokogawa Electric Corporation. This unique PMC capability will continue to expand into many new power measurement and control products offered by Yokogawa Corporation of America.

The design of the POWER SERIES^{Plus} combines a high accuracy digital switchboard meter with transducer output which can be configured in the field by an end-user, or when installed in new

electrical equipment by an OEM. It eliminates requirements for a large inventory of dedicated instruments, and provides flexibility when new panel designs or system upgrades require changes in instrument transformer ratings. Our rugged metal case fits standard panel cutouts for switchboard meters and makes it a perfect replacement for less versatile instruments. The RS-485 communications option allows up to 32 meters to be networked together for remote monitoring and control. In addition, the POWER SERIES^{Plus} can be set up and locked out for security via the remote communications option.

The NEW 2493 triple display multifunction power meter . . .

Ideally designed for easy retrofit into existing switchboard meter panel cutouts. The 2493 features three easy to read LED displays, minimum/maximum values at the touch of a button, scaling up to 1250:1 for potential transformers and 5000:1 for current transformers. Optional 0-1mA DC and 4-20mA DC analog outputs are configurable by the user and RS485 communications option is available at no additional cost. The 2493 is also available with a wide choice of power supply options.



Features

- Scaling of the instrument for PT (potential transformer) primary ratings up to 1250:1; and CT (current transformer) primary ratings up to 5000:1.
- Adjustable transducer output proportionate to the primary input setting.
- Electrical legends (i.e., Watts, Kilowatts, Megawatts) can be set by the user and indicated by a red LED adjacent to the selected legend.
- Display average setting: Adjustable to obtain a “rolling average” of inputs. Increasing the number of samples reduces annoying “digit bounce” by the least significant digit.
- All settings are stored in non-volatile memory. If there is a loss of power to the instrument, all settings will remain as they were prior to power loss.
- Accuracy of $\pm 0.2\%$ of reading, $\pm 0.1\%$ of full scale.
- True RMS current and voltage measuring capability. A most desirable feature when distorted wave forms are present on the line.
- High resolution/ high intensity LED displays that can be viewed from almost any angle.



Set-up and Configuration (2491, 2492)

The POWER SERIES^{Plus} can be configured for primary and secondary transformer inputs, legends, outputs and averaging function. At Yokogawa, we program each model according to the specified options required by the user. This minimizes the number of steps to set up the instrument at the job site or on the factory floor.

Each model is programmed only for the options selected, so there are no unnecessary menu items. If you select a Voltmeter without analog output, then set up will be limited to PT ratios, LED display, and average setting. All can be accomplished in less than one minute. If no transformer is required, the ratio entered for PT P and PT S is 1 (1:1).

Set up functions appear on the display as symbols. They are accessible when you press the MODE pushbutton located behind the front cover and beneath the LED display. After pressing MODE, you are in the setting mode “rSEt” and can begin setting up. Error codes during set up mean your inputs may be incorrect or outside of the range of the instrument. Refer to the instruction manual for range/span restrictions for each model selected.

The pushbutton setting switches are described below. In order for a setting to be entered into memory, you must complete all entries for that mode such as: “PT P” and “PT S” (PT primary and PT secondary). If the values do not need to be changed from a previous setting, simply push the EN switch several times to go to the next mode.

After auxiliary power connection and removal of the cover, the instruction manual will guide you through set up. Pushbutton switches are located directly below the LED display. The POWER SERIES^{Plus} can be set up before, or after installation in a panel. Once set up is complete, replace the cover and make the appropriate input connections.

PUSHBUTTON SETTING SWITCHES (under the cover)



Mode

Mode switch transfers user back and forth between standard mode (present setting) and “rSEt” mode.



This switch moves from one unit setting to another, or mode to mode



This switch moves digits to selected values and moves decimal position.



EN

After each setting, this switch enters input data, then proceeds to next sequence.



2493

POWER SERIES^{Plus}

DIGITAL SWITCHBOARD METER

Set-up and Configuration (2493)

The new triple display POWER SERIES^{Plus} has front panel pushbuttons which can be used for setting voltage and current inputs from instrument transformers, as well as analog outputs and a rolling average.

The exact functions depend on the model options selected by the customer. For example: If you selected a 3 in 1 Voltmeter with no analog output, you would only need to set the PT ratio and average. If you are tied into a network with RS485, then you would also need to identify the network address and baud rate.

All set-up functions can be performed using the four buttons on the front panel (see below). You can also use the buttons to display the minimum and maximum readings and, on some models, to change from phase to phase.

PUSHBUTTON SETTING SWITCHES (front panel)



This button starts all operations. When viewing or changing settings it is used to back out of a mode.



This button can change the phase being displayed. When viewing or changing settings, it moves between settings or between digits.



This button will increment the value being changed. It is also used to display Max readings.



This button, when viewing or changing settings, is used to select a mode, save it, and then move to the next mode in the sequence. It is also used to display Min readings.

All button operations begin with the Mode button. To see the Min or Max, push the Mode button and then the button of the reading you want to see - Min or Max. The values will display for 10 seconds before reverting to the normal display. If you want to reset the values, push the Min or Max button again before 10 seconds have passed.

If the model that you select can change between phases, it is done by pressing the Mode button first, and then the Next button. The display will switch to the next phase in the sequence. For example: A Volt-Amp-Hertz meter with 3P4W connections would cycle A-B-C-AB-BC-CA and then back to A.

To view the configuration settings, press Mode twice (Mode-Mode) and then press Set. The first setting will be displayed. For a Triple Amp meter this setting will be the Current Transformer (Ct), for all other models this will be the Potential Transformer (Pt). To see the other settings, press Next. You can scroll through all the settings by pressing Next. To go back to normal operations, press Mode. To change the setting being shown, press Set. See the above paragraphs on the specific settings for details. Once a setting is changed it will display the next setting. At any point while changing settings, pressing Mode will exit without changing anything.

MEASURING CAPABILITY	MODEL NUMBER	CONNECTIONS AVAILABLE*	MAXIMUM INPUT RATING	ELECTRICAL LEGEND	ORDER INFO.
AC AMPERES	249111	Single phase	0-1 Amp AC	Amps AC	Page 7
	249115	Single phase	0-5 Amp AC	Kiloamps AC	
	249305	Three phase	0-1 Amp AC	Amps	Page 15
	249306	Three phase	0-5 Amp AC	Kiloamps	
AC VOLTAGE	249121	Single phase	0-150 Volt AC	Volts AC	Page 7
	249125	Single phase	0-300 Volt AC	Kilovolts AC	
	249301	3P3W Delta	0-150 Volt AC	Volts Kilovolts	Page 15
	249302	3P4W Wye	0-150 Volt AC		
	249303	3P3W Delta	0-300 Volt AC		
	249304	3P4W Wye	0-300 Volt AC		
FREQUENCY	249181	Single phase	150 Volt AC	Hertz	Page 7
	249183	Single phase	300 Volt AC		
WATTS	249151	1P2W 1P3W 3P3W 3P4W(2 1/2 Element) 3P4W(3 Element)	(select one)	Watts Kilowatts Megawatts	Page 8
	249152		120V AC 1 Amp		
	249153		240V AC 1 Amp		
	249154		120V AC 5 Amp		
	249155		240V AC 5 Amp		
VARS	249161	1P2W 1P3W 3P3W 3P4W(2 1/2 Element) 3P4W(3 Element)	(select one)	Vars Kilovars Megavars	Page 8
	249162		120V AC 1 Amp		
	249163		240V AC 1 Amp		
	249164		120V AC 5 Amp		
	249165		240V AC 5 Amp		
POWER FACTOR	249171	1P2W 1P3W 3P3W 3P4W(2 1/2 Element) 3P4W(3 Element)	(select one)	Power Factor Lag Lead	Page 9
	249172		120V AC 1 Amp		
	249173		240V AC 1 Amp		
	249174		120V AC 5 Amp		
	249175		240V AC 5 Amp		
PHASE ANGLE	249191	1P2W 1P3W 3P3W 3P4W(2 1/2 Element) 3P4W(3 Element)	(select one)	Phase Angle Lag Lead	Page 9
	249192		120V AC 1 Amp		
	249193		240V AC 1 Amp		
	249194		120V AC 5 Amp		
	249195		240V AC 5 Amp		
VOLT / AMP DUAL FUNCTION	249212	Single phase	150V / 1 Amp	Volts Kilovolts Amps Kiloamps	Page 10
	249213	Single phase	300V / 1 Amp		
	249216	Single phase	150V / 5 Amp		
	249217	Single phase	300V / 5 Amp		
VOLT / HERTZ DUAL FUNCTION	249222	Single phase	150V & 50/60Hz	Volts Kilovolts Hertz	Page 11
	249223	Single phase	300V & 50/60Hz		
	249226	Single phase	150V & 400Hz		
	249227	Single phase	300V & 400Hz		
VOLT / AMP / HZ	249307	1P2W 3P3W Delta 3P4W Wye	(select one)	Amps/Kiloamps Volts Kilovolts Hertz	Page 16
	249308		150V or 300V AC		
	249309		1A or 5A AC 50/60Hz or 400Hz		
WATT / VAR DUAL FUNCTION	249240	1P2W 1P3W 3P3W 3P4W(2 1/2 Element) 3P4W(3 Element)	(select one)	Watts/Kilowatts Megawatts Vars/Kilovars Megavars	Page 12
	249241		120V AC 1 AMP		
	249242		240V AC 1 AMP		
	249243		120V AC 5 AMP		
	249244		240V AC 5 AMP		
WATT / PF DUAL FUNCTION	249245	1P2W 1P3W 3P3W 3P4W(2 1/2 Element) 3P4W(3 Element)	(select one)	Watts Kilowatts Megawatts Power Factor Lag Lead	Page 13
	249246		120V AC 1 AMP		
	249247		240V AC 1 AMP		
	249248		120V AC 5 AMP		
	249249		240V AC 5 AMP		
WATT / VAR / PF	249334	1P2W 1P3W 3P3W 3P4W(2 1/2 Element) 3P4W(3 Element)	(select one)	Watts/Vars Kilowatts/Kilovars Megawatts/Megavars Power Factor Lag Lead	Page 14
	249335		120V AC 1 AMP		
	249336		240V AC 1 AMP		
	249337		120V AC 5 AMP		
	249338		240V AC 5 AMP		

*see pages 17 through 21 for connection diagrams

DISPLAY	Type: Digit height: Response time:	4 digit red LED (9999 counts) for 2493 readouts (3 displays) 4 1/2 digit red LED for 2491, 2492 0.56 inch or 14mm 200ms min. update time for 2491, 2492 160ms min. update time for V/V/V, A/A/A, Watt/VAR/PF 2493 320ms min. update time for V/A/Hz 2493								
AUXILIARY POWER	2491: 2492: 2493:	Choice of 120V or 240V AC ($\pm 15\%$), 45-65 Hz, 4.5VA max. Select either 120V or 240V AC ($\pm 15\%$), 45-65Hz, 4.5VA max. 120 or 240V AC ($\pm 15\%$), 45-65 Hz, power consumption 10VA max. Optional 24, 48, 125V DC power supplies (contact factory)								
INPUT RATING	Current: Voltage: Frequency:	0 to 1A AC; 0 to 5A AC 0-120V AC, 0-240V AC (W/VAR/PF/PA) 0-150V AC, 0-300V AC (Volt/Freq) 50/60 Hz and 400 Hz								
INPUT RANGE	Rated current: Rated voltage:	A/W/VAR: 0-200%; PF/PA : 20-200% V/W/VAR: 0-120%; PF/PA: 50-120%; Frequency: 20-120%								
INPUT FREQUENCY RANGE	Volts, Amps, Hertz:	45-65Hz up to the 9th harmonic measuring capability $\pm 2\%$ of specified accuracy								
SUSTAINED INPUT	Rated current: Rated voltage:	A/W/VAR/PF/PA: 200% continuous; 10x rating for 5 seconds V/W/VAR/FREQ : 120% continuous; PF/PA : 150% continuous								
BURDEN	Current: Voltage:	<0.2 VA per element 120V: <0.2VA per element; 240V: <0.4VA per element								
ACCURACY	Reference condition: 25°C, 45-74%RH, at rated input 60Hz sine wave, 30 min. warmup	<table border="1"> <tr> <td>Voltage</td> <td rowspan="5"> $\pm 0.2\%$ of reading $\pm 0.1\%$ of full scale ± 0.05 Power factor $\pm 0.5^\circ$ Phase Angle $\pm 0.01\text{Hz}$ @ 40-70Hz, $\pm 0.1\text{Hz}$ @ 300-500 Hz </td> </tr> <tr> <td>Current</td> </tr> <tr> <td>Watt/VAR</td> </tr> <tr> <td>Power Factor</td> </tr> <tr> <td>Phase Angle</td> </tr> <tr> <td>*Frequency</td> <td></td> </tr> </table>	Voltage	$\pm 0.2\%$ of reading $\pm 0.1\%$ of full scale ± 0.05 Power factor $\pm 0.5^\circ$ Phase Angle $\pm 0.01\text{Hz}$ @ 40-70Hz, $\pm 0.1\text{Hz}$ @ 300-500 Hz	Current	Watt/VAR	Power Factor	Phase Angle	*Frequency	
Voltage	$\pm 0.2\%$ of reading $\pm 0.1\%$ of full scale ± 0.05 Power factor $\pm 0.5^\circ$ Phase Angle $\pm 0.01\text{Hz}$ @ 40-70Hz, $\pm 0.1\text{Hz}$ @ 300-500 Hz									
Current										
Watt/VAR										
Power Factor										
Phase Angle										
*Frequency										
ANALOG OUTPUT AND RESPONSE TIME	0 to 1mA, 0 to $\pm 1\text{mA}$: 4 to 20mA, 12 $\pm 8\text{mA}$:	10VDC compliance into 10k ohm load maximum 15VDC compliance into 750 ohm maximum 1 second maximum response time within $\pm 1\%$ of final value								
OUTPUT RIPPLE		0.5% peak-to-peak maximum of output span								
COMMUNICATIONS	Optional	RS-485 half duplex interface with networking up to 32 units Selectable Baud Rate								
ISOLATION VOLTAGE AND INSULATION RESISTANCE	Input to output/case: Aux. power to case: Aux. power to output: Output to case:	2500V AC for 1 minute / more than 10 Megohm @ 500V DC AC: 2000V AC for 1 minute / more than 10 Megohm @ 500V DC DC: 500V DC minimum / 10 Megohm minimum @ 100V DC AC: 2000V AC for 1 minute / more than 10 Megohm @ 500V DC DC: 500V DC minimum / 10 Megohm minimum @ 100V DC 1000V AC for 1 minute / more than 10 Megohm @ 500V DC								
TEMPERATURE RANGE	Operating: Storage:	-20 to +60°C at 90% RH maximum (non-condensing) -40 to +85°C								
TEMPERATURE COEFFICIENT	Display and Comm: Analog Output:	± 150 PPM/°C maximum of full scale ± 250 PPM/°C maximum of full scale								
INFLUENCE OF:	Magnetic field: Input voltage: Shock/Vibration: Unbalanced current: Input frequency: Load resistance: (Analog input)	0.5% maximum at 400 ampere turns/meter <0.05 Power Factor (10-120% of rated voltage) per ANSI C39.1 <0.2% of full scale <0.05 Power Factor (45-65Hz) 0 to 1mA, 0 to $\pm 1\text{mA}$: 0 - 10K ohm within $\pm 0.05\%$ of full scale 4 to 20mA, 12 $\pm 8\text{mA}$: 0-750 ohm within $\pm 0.05\%$ of full scale								
DIMENSIONS : WEIGHT :	Reference page 22 Meter with hardware	W x D x H = 4.33 x 6.54 x 4.33 inches 2491: 1000g (2.2 lbs), 2492: 1100g (2.4 lbs), 2493: 1250g (2.75 lbs)								

*2493 accuracy is $\pm 0.1\text{Hz}$ @ 40-70 Hz and $\pm 0.5\text{Hz}$ @ 300-500Hz

POWER SERIES ^{Plus}

DIGITAL SWITCHBOARD METER



2491

AC AMPS / AC VOLTS / FREQUENCY



MODEL FORMAT: 2491

Insert model code from the selection below:

MODEL

2491

① **MAX. INPUT RATING**

- 11 1 AMP AC
- 15 5 AMP AC
- 21 150 VOLTS AC
- 25 300 VOLTS AC
- 81 FREQUENCY (150 V Rating).....
- 83 FREQUENCY (300 V Rating).....

② **FREQUENCY**

- 1 50/60 Hz
- 2 400 Hz.....

③ **ANALOG OUTPUT** (see notes below)

- AAA No output
- AFA 0 TO 1 mA
- AFB 0 TO ±1 mA.....
- AHD 4 TO 20 mA
- AHF 12 ±8 mA

④ **COMMUNICATION**

- 0 NONE.....
- 1 RS-485.....



NOTES:

- 1) MAXIMUM SCALING RATIO FOR AMPS IS 5000:1 (25.00 KILOAMPS FOR 5A INPUT).
- 2) MAXIMUM SCALING RATIO FOR VOLTS IS 1250:1 (150 KILOVOLTS FOR 120V INPUT).
- 3) AHD SUFFIX NOT AVAILABLE WITH FREQUENCY METER.
- 4) AFB AND AHF SUFFIX NOT AVAILABLE WITH AMP OR VOLT METERS.
- 5) 120/240V AUXILIARY POWER IS STANDARD WITH ALL 2491 MODELS.
- 6) NIST CALIBRATION CERTIFICATE: SPECIFY AND ADD \$50.00 EACH NET PER UNIT.
- 7) NIST CALIBRATION CERTIFICATE WITH TEST DATA: SPECIFY AND ADD \$100.00 EACH NET PER UNIT.
- 8) CERTIFICATE OF CONFORMANCE: NO CHARGE, BUT SPECIFY WITH ORDER.



2491

POWER SERIES^{Plus}

DIGITAL SWITCHBOARD METER

AC WATTS AND VARS



MODEL FORMAT: 2491

MODEL
2491

1 FUNCTION / CONNECTIONS

51	WATT 1P2W
52	WATT 1P3W
53	WATT 3P3W
54	WATT 3P4W (2 1/2 element)
55	WATT 3P4W (3 element)
61	VARs 1P2W
62	VARs 1P3W
63	VARs 3P3W
64	VARs 3P4W (2 1/2 element)
65	VARs 3P4W (3 element)

2 AC INPUT RATING

11	120 VOLT/1 AMP
15	120 VOLT/5 AMP
21	240 VOLT/1 AMP
25	240 VOLT/5 AMP

3 FREQUENCY

5	50/60 Hz
6	400 Hz



4 ANALOG OUTPUT

AAA	NO OUTPUT
AFA	0 TO 1 mA
AFB	0 TO ±1 mA
AHD	4 TO 20 mA
AHF	12 ± 8 mA

5 COMMUNICATION

0	NONE
1	RS-485

NOTES:

- 1) WATTS/KILOWATTS/ MEGAWATTS AND VARS/KILOVARS/MEGAVARS LEGENDS ARE USER SELECTABLE.
- 2) 120/240V AUXILIARY POWER IS STANDARD WITH ALL 2491 MODELS.
- 3) NIST CALIBRATION CERTIFICATE: SPECIFY AND ADD \$50.00 EACH NET PER UNIT.
- 4) NIST CALIBRATION CERTIFICATE WITH TEST DATA: SPECIFY AND ADD \$100.00 EACH NET PER UNIT.
- 5) CERTIFICATE OF CONFORMANCE: NO CHARGE, BUT SPECIFY WITH ORDER.

POWER SERIES^{Plus}

DIGITAL SWITCHBOARD METER



2491

POWER FACTOR AND PHASE ANGLE

MODEL FORMAT: 2491



MODEL
2491

① FUNCTION/CONNECTIONS

71	POWER FACTOR 1P2W
72	POWER FACTOR 1P3W
73	POWER FACTOR 3P3W
74	POWER FACTOR 3P4W (2 1/2 element)
75	POWER FACTOR 3P4W (3 element)
91	PHASE ANGLE 1P2W.....
92	PHASE ANGLE 1P3W.....
93	PHASE ANGLE 3P3W.....
94	PHASE ANGLE 3P4W (2 1/2 element)
95	PHASE ANGLE 3P4W (3 element).....

② AC INPUT RATING

11	120 VOLT/1 AMP
15	120 VOLT/5 AMP
21	240 VOLT/1 AMP
25	240 VOLT/5 AMP

③ FREQUENCY

5	50/60 Hz.....
6	400 Hz

④ ANALOG OUTPUT

AAA	NO OUTPUT.....
AFA	0 TO 1 mA
AFB	0 TO ±1 mA
AHD	4 TO 20 mA
AHF	12 ± 8 mA.....

⑤ COMMUNICATION

0	NONE
1	RS-485



NOTES:

- 1) THESE MODELS HAVE 3 1/2 DIGIT DISPLAY.
- 2) 120/240V AUXILIARY POWER IS STANDARD WITH ALL MODELS.
- 3) NIST CALIBRATION CERTIFICATE: SPECIFY AND ADD \$50.00 EACH NET PER UNIT.
- 4) NIST CALIBRATION CERTIFICATE WITH TEST DATA: SPECIFY AND ADD \$100.00 EACH NET PER UNIT.
- 5) CERTIFICATE OF CONFORMANCE: NO CHARGE, BUT SPECIFY WITH ORDER.



2492

POWER SERIES^{Plus}

DIGITAL SWITCHBOARD METER

AC VOLT / AMP DUAL FUNCTION

① — ② — ③ — ④ — ⑤

MODEL FORMAT : 2492



MODEL

2492

① INPUT RATING

- 12 150 VOLT / 1 AMP AC.....
- 13 300 VOLT / 1 AMP AC.....
- 16 150 VOLT / 5 AMP AC.....
- 17 300 VOLT / 5 AMP AC.....

② FREQUENCY

- 1 50/60 Hz
- 2 400 Hz.....

③ ANALOG OUTPUT

- AAA None
- AFA 0 TO 1 mA
- AHD 4 TO 20 mA

④ COMMUNICATION

- 0 NONE
- 1 RS-485.....

⑤ AUX. POWER SUPPLY

- 1 120 V 50/60 Hz
- 2 240 V 50/60 Hz



NOTES:

- 1) MAXIMUM SCALING RATIO FOR VOLTS IS 1250:1; FOR AMPS IT IS 5,000:1.
- 2) NIST CALIBRATION CERTIFICATE: SPECIFY AND ADD \$50.00 EACH NET PER UNIT.
- 3) NIST CALIBRATION CERTIFICATE WITH TEST DATA: SPECIFY AND ADD \$100.00 EACH NET PER UNIT.
- 4) CERTIFICATE OF CONFORMANCE: NO CHARGE, BUT SPECIFY WITH ORDER.

POWER SERIES^{Plus}

DIGITAL SWITCHBOARD METER



2492

AC VOLT / FREQUENCY DUAL FUNCTION

① — ② — ③ — ④



MODEL FORMAT: 2492

MODEL

2492 ① VOLTAGE AND FREQUENCY

22	150 VOLT AND 50/60 Hz
23	300 VOLT AND 50/60 Hz
26	150 VOLT AND 400 Hz.....
27	300 VOLT AND 400 Hz.....

② ANALOG OUTPUT

AAA	None
AFA	0 TO 1 mA
AHD	4 TO 20 mA

③ COMMUNICATION

0	None.....
1	RS-485.....

④ AUX. POWER SUPPLY

1	120 V 50/60 Hz
2	240 V 50/60 Hz



NOTES:

- 1) MAXIMUM SCALING RATIO FOR VOLTS IS 1250:1.
- 2) NIST CALIBRATION CERTIFICATE: SPECIFY AND ADD \$50.00 EACH NET PER UNIT.
- 3) NIST CALIBRATION CERTIFICATE WITH TEST DATA: SPECIFY AND ADD \$100.00 EACH NET PER UNIT.



2492

POWER SERIES^{Plus}

DIGITAL SWITCHBOARD METER

AC WATT / VAR DUAL FUNCTION

① — ② — ③ — ④ — ⑤ — ⑥



MODEL FORMAT: 2492

MODEL
2492

① FUNCTIONS / CONNECTIONS

- 40 WATT / VAR 1P2W
- 41 WATT / VAR 1P3W
- 42 WATT / VAR 3P3W
- 43 WATT / VAR 3P4W (2 1/2 elmt.)
- 44 WATT / VAR 3P4W (3 elmt.)

② AC INPUT RATING

- 12 120 VOLT/1 AMP
- 13 120 VOLT/5 AMP
- 16 240 VOLT/1 AMP
- 17 240 VOLT/5 AMP

③ FREQUENCY

- 5 50/60 Hz
- 6 400 Hz

④ ANALOG OUTPUT

- AAA None
- AFA 0 TO 1 mA
- AFB 0 TO ±1 mA
- AHD 4 TO 20 mA
- AHF 12 ± 8 mA



⑤ COMMUNICATION

- 0 None
- 1 RS-485

⑥ AUX. POWER SUPPLY

- 1 120 V 50/60 Hz
- 2 240 V 50/60 Hz

NOTES:

- 1) MAXIMUM SCALING RATIO FOR VOLTAGE IS 1250:1; AND FOR AMPERES IT IS 5000:1.
- 1) WATTS/KILOWATTS/MEGAWATTS AND VARS/KILOVARS/MEGAVARS LEGENDS ARE USER SELECTABLE.
- 2) NIST CALIBRATION CERTIFICATE: SPECIFY AND ADD \$50.00 EACH NET PER UNIT.
- 3) NIST CALIBRATION CERTIFICATE WITH TEST DATA: SPECIFY AND ADD \$100.00 EACH NET PER UNIT.
- 4) CERTIFICATE OF CONFORMANCE: NO CHARGE, BUT SPECIFY WITH ORDER.

POWER SERIES^{Plus}

DIGITAL SWITCHBOARD METER



2492

AC WATT / POWER FACTOR DUAL FUNCTION

MODEL FORMAT: 2492

① — ② — ③ — ④ — ⑤ — ⑥

■ ■ ■ ■ ■ ■

MODEL
2492

① FUNCTIONS / CONNECTIONS

45	WATT / POWER FACTOR 1P2W
46	WATT / POWER FACTOR 1P3W
47	WATT / POWER FACTOR 3P3W
48	WATT / POWER FACTOR 3P4W (2 1/2 element)
49	WATT / POWER FACTOR 3P4W (3 element)

② AC INPUT RATING

12	120 VOLT/1 AMP
13	120 VOLT/5 AMP
16	240 VOLT/1 AMP
17	240 VOLT/5 AMP

③ FREQUENCY

5	50/60 Hz
6	400 Hz

④ ANALOG OUTPUT

AAA	None
AFA	0 TO 1 mA
AFB	0 TO ±1 mA
AHD	4 TO 20 mA
AHF	12 ± 8 mA

⑤ COMMUNICATION

0	None
1	RS-485

⑥ AUX. POWER SUPPLY

1	120 V 50/60 Hz
2	240 V 50/60 Hz



NOTES:

- 1) MAXIMUM SCALING RATIO FOR VOLTAGE IS 1250:1; AND FOR AMPERES IT IS 5000:1.
- 1) WATTS/KILOWATTS/MEGAWATTS LEGEND IS USER SELECTABLE.
- 2) NIST CALIBRATION CERTIFICATE: SPECIFY AND ADD \$50.00 EACH NET PER UNIT.
- 3) NIST CALIBRATION CERTIFICATE WITH TEST DATA: SPECIFY AND ADD \$100.00 EACH NET PER UNIT.
- 4) CERTIFICATE OF CONFORMANCE: NO CHARGE, BUT SPECIFY WITH ORDER.



2493

POWER SERIES ^{Plus}

DIGITAL SWITCHBOARD METER

3 in 1 AC WATT / VAR / POWER FACTOR



MODEL FORMAT: 2493

LIST PRICE AND ADDERS

MODEL 2493

1 FUNCTION/CONNECTIONS		
34	WATT/VAR/PF 1P2W	\$ 669.00
35	WATT/VAR/PF 1P3W	\$ 699.00
36	WATT/VAR/PF 3P3W	\$ 699.00
37	WATT/VAR/PF 3P4W (2 1/2 ELEMENT)	\$ 729.00
38	WATT/VAR/PF 3P4W (3 ELEMENT)	\$ 759.00

2 VOLT/AMP RATING		
1	120V/1A AC	N/C
2	120V/5A AC	N/C
3	240V/1A AC	N/C
4	240V/5 A AC.....	N/C

3 FREQUENCY		
1	50/60 Hz.....	N/C
2	400 Hz	\$ 75.00

4 ANALOG OUTPUT		
AAA	NONE.....	N/C
AFA	0 TO 1 mA.....	\$ 100.00
AFB	0 TO ±1 mA	\$ 100.00
AHD	4 TO 20 mA.....	\$ 100.00

5 COMMUNICATION		
0	NONE	N/C
1	RS-485.....	N/C
2	MODBUS.....	N/C

6 AUXILIARY POWER		
1	120V AC	N/C
2	240V AC	N/C
3	24V DC.....	\$ 75.00
4	48V DC.....	\$ 75.00
5	125V DC.....	\$ 100.00



Notes:

- 1) 120V OR 240V AC AUXILIARY POWER IS STANDARD. CONTACT FACTORY FOR AVAILABILITY OF DC POWER OPTIONS.
- 2) NIST CALIBRATION CERTIFICATE: SPECIFY AND ADD \$50.00 EACH NET PER UNIT.
- 3) NIST CALIBRATION CERTIFICATE WITH TEST DATA: SPECIFY AND ADD \$100.00 EACH NET PER UNIT.

POWER SERIES^{Plus}

DIGITAL SWITCHBOARD METER



2493

3 in 1 AC VOLT OR AMP

MODEL FORMAT: 2493



MODEL		LIST PRICE AND ADDERS
2493	1 CONNECTIONS / INPUT RATING	
	01 3P3W 150V AC	\$ 599.00
	02 3P4W 150V AC	\$ 599.00
	03 3P3W 300V AC	\$ 599.00
	04 3P4W 300V AC	\$ 599.00
	05 3 PHASE A, B, C 1A AC.....	\$ 599.00
	06 3 PHASE A, B, C 5A AC	\$ 599.00
	2 FREQUENCY	
	1 50/60 Hz	N/C
	2 400 Hz.....	\$ 75.00
	3 ANALOG OUTPUT	
	AAA None	N/C
	AFA 0 to 1 mA.....	\$ 100.00
	AHD 4 to 20 mA.....	\$ 100.00
	4 COMMUNICATION	
	0 None	N/C
	1 RS-485	N/C
	2 MODBUS.....	N/C
	5 AUXILIARY POWER	
	1 120V AC	N/C
	2 240V AC	N/C
	3 24V DC	\$ 75.00
	4 48V DC	\$ 75.00
	5 125V DC	\$ 100.00



Notes:

- 1) 120V OR 240V AC AUXILIARY POWER IS STANDARD. CONTACT FACTORY FOR AVAILABILITY OF DC POWER OPTIONS.
- 2) NIST CALIBRATION CERTIFICATE: SPECIFY AND ADD \$50.00 EACH NET PER UNIT.
- 3) NIST CALIBRATION CERTIFICATE WITH TEST DATA: SPECIFY AND ADD \$100.00 EACH NET PER UNIT.



2493

POWER SERIES ^{Plus}

DIGITAL SWITCHBOARD METER

3 in 1 AC VOLT / AMP / HERTZ



MODEL FORMAT: 2493

**LIST
PRICE
AND
ADDERS**

**MODEL
2493**

1	FUNCTION/CONNECTIONS	
07	VOLT/AMP/Hz 1P2W	\$ 599.00
08	VOLT/AMP/Hz 3P3W	\$ 699.00
09	VOLT/AMP/Hz 3P4W	\$ 699.00

2 VOLT/AMP RATING

1	150V/1A AC	N/C
2	150V/5A AC	N/C
3	300V/1A AC	N/C
4	300V/5 A AC.....	N/C

3 FREQUENCY

1	50/60 Hz.....	N/C
2	400 Hz	\$ 75.00

4 ANALOG OUTPUT

AAA	NONE.....	N/C
AFA	0 TO 1 mA.....	\$ 100.00
AHD	4 TO 20 mA.....	\$ 100.00

5 COMMUNICATION

0	NONE	N/C
1	RS-485.....	N/C
2	MODBUS	N/C

6 AUXILIARY POWER

1	120V AC	N/C
2	240V AC	N/C
3	24V DC.....	\$ 75.00
4	48V DC.....	\$ 75.00
5	125V DC.....	\$ 100.00



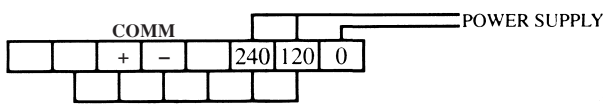
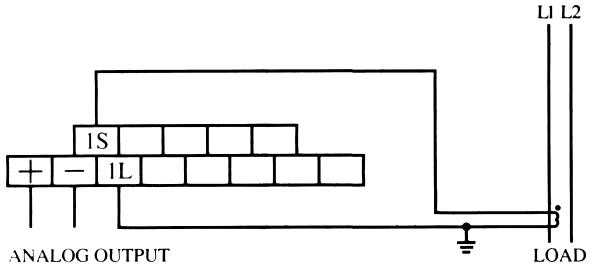
Notes:

- 1) 120V OR 240V AC AUXILIARY POWER IS STANDARD. CONTACT FACTORY FOR AVAILABILITY OF DC POWER OPTIONS.
- 2) NIST CALIBRATION CERTIFICATE: SPECIFY AND ADD \$50.00 EACH NET PER UNIT.
- 3) NIST CALIBRATION CERTIFICATE WITH TEST DATA: SPECIFY AND ADD \$100.00 EACH NET PER UNIT.

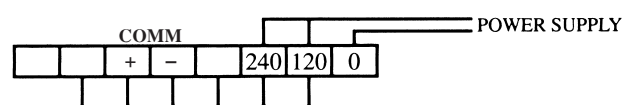
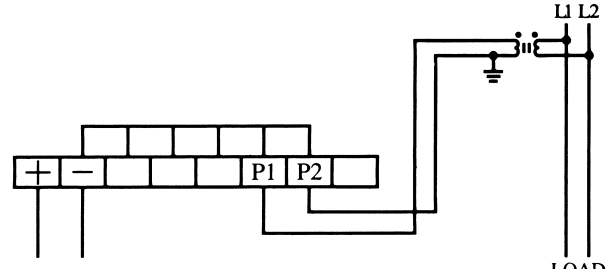


2491

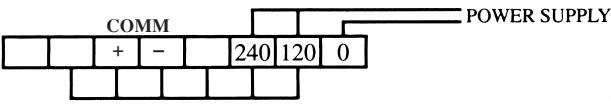
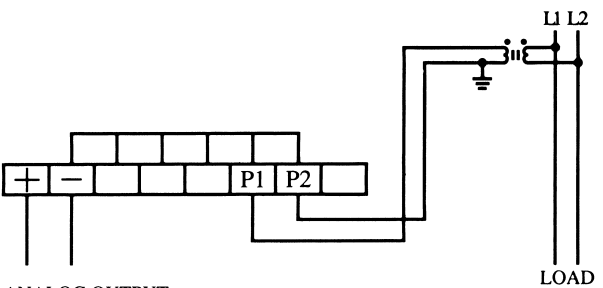
Terminal Connections



249111 and 249115 AC Ammeters

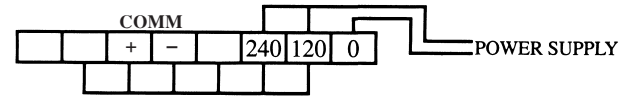
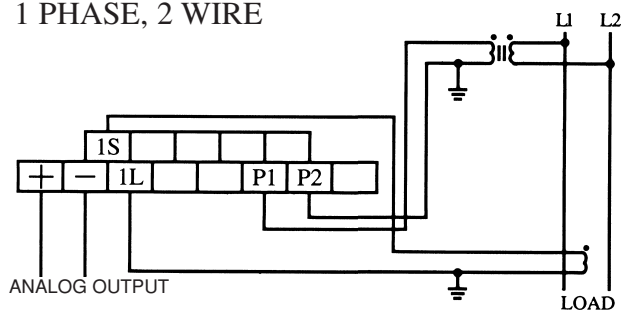


249121 and 249125 AC Voltmeters



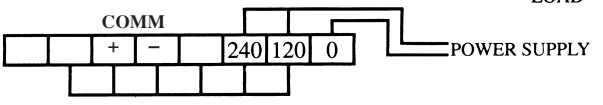
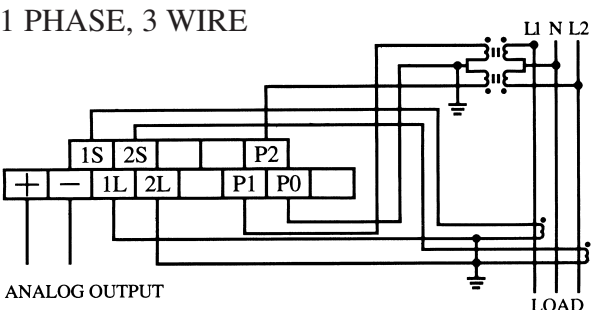
249181 and 249183 Frequency Meters

1 PHASE, 2 WIRE



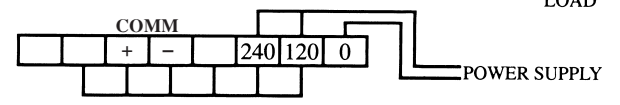
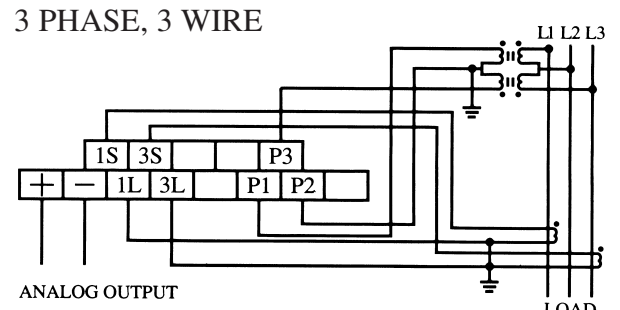
**249151 / 249161 / 249171 / 249191
Watts / Vars / P.F. / Phase Angle**

1 PHASE, 3 WIRE



**24919152 / 249162 / 249172 / 249192
Watts / Vars / P.F. / Phase Angle**

3 PHASE, 3 WIRE



**249153 / 249163 / 249173 / 249193
Watts / Vars / P.F. / Phase Angle**

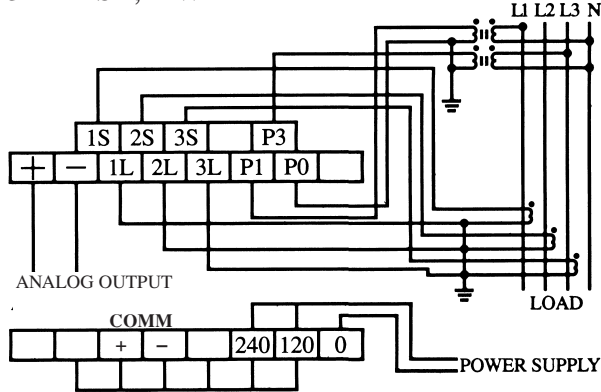


POWER SERIES^{Plus}

DIGITAL SWITCHBOARD METER

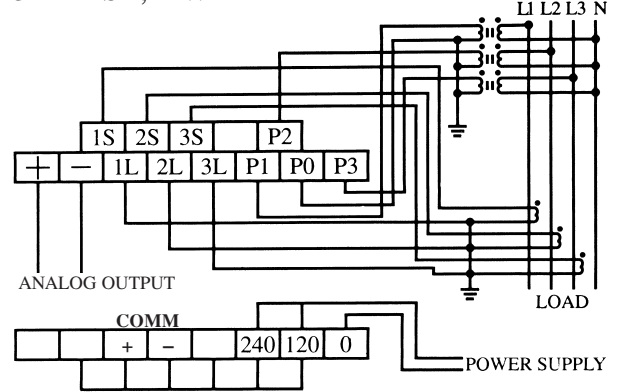
Terminal Connections

3 PHASE, 4 WIRE

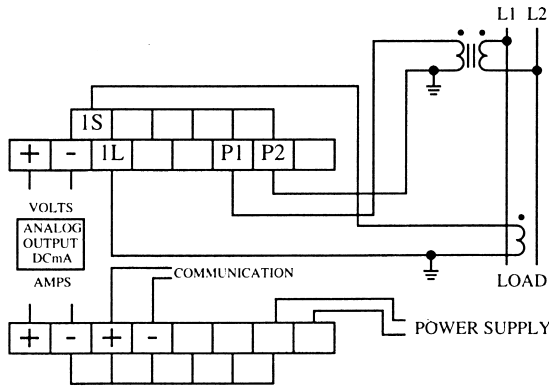


249154 / 249164 / 249174 / 249194
Watts / Vars / P.F. / Phase Angle

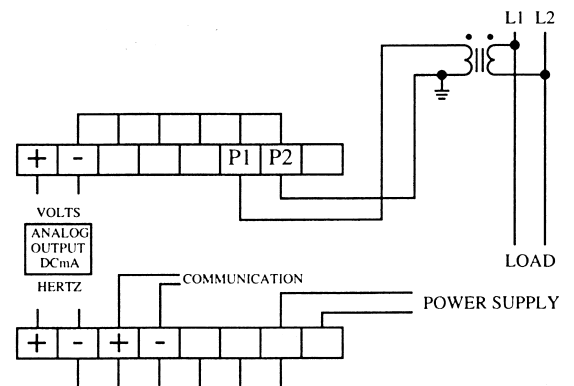
3 PHASE, 4 WIRE



249155 / 249165 / 249175 / 249195
Watts / Vars / P.F. / Phase Angle

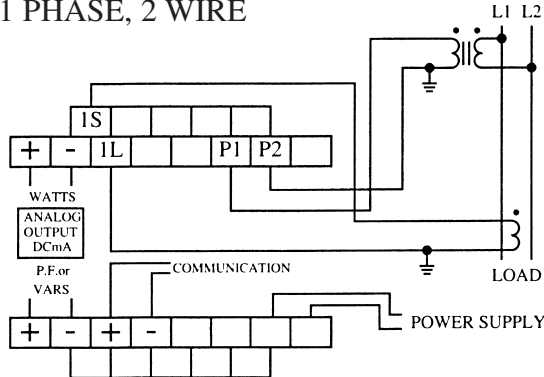


249212 / 249213 / 249216 / 249217
Dual function Volts / Amps



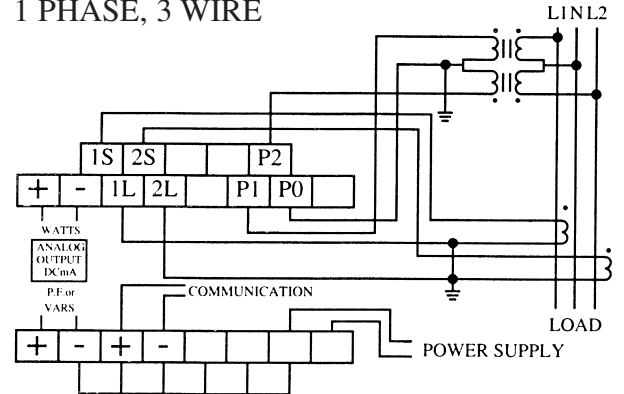
249222 / 249223 / 249226 / 249227
Dual function Volts / Hertz

1 PHASE, 2 WIRE



249240 / 249245
Dual function Watts / Vars, Watts / P. F.

1 PHASE, 3 WIRE



249241 / 249246
Dual function Watts / Vars, Watts / P. F.

POWER SERIES^{Plus}

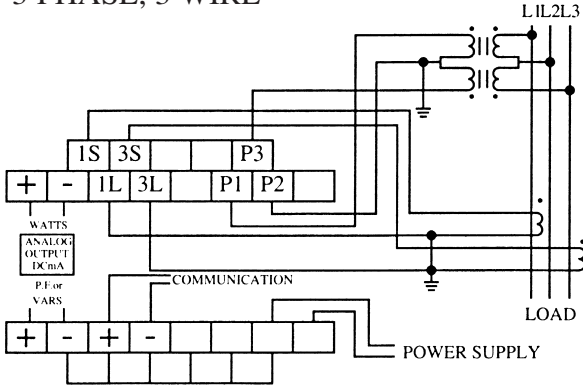
DIGITAL SWITCHBOARD METER



2492

Terminal Connections

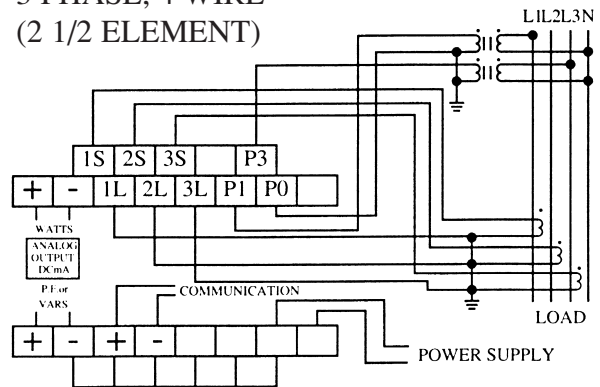
3 PHASE, 3 WIRE



249242 / 249247

Watts / Vars and Watts / Power Factor

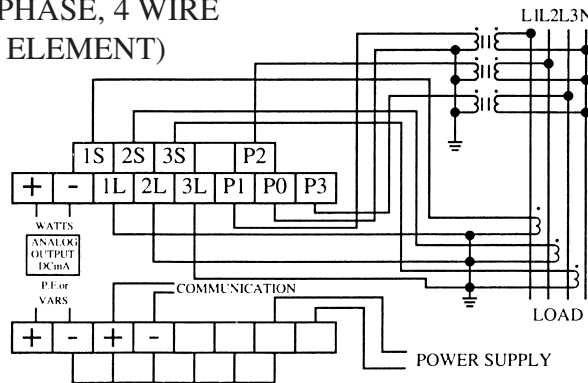
3 PHASE, 4 WIRE
(2 1/2 ELEMENT)



249243 / 249248

Watts / Vars and Watts / Power Factor

3 PHASE, 4 WIRE
(3 ELEMENT)



249244 / 249249

Dual Function Watts / Vars & Watts / P.F.



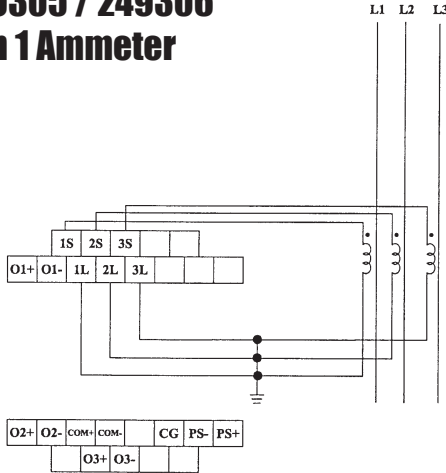
2493

POWER SERIES^{Plus}

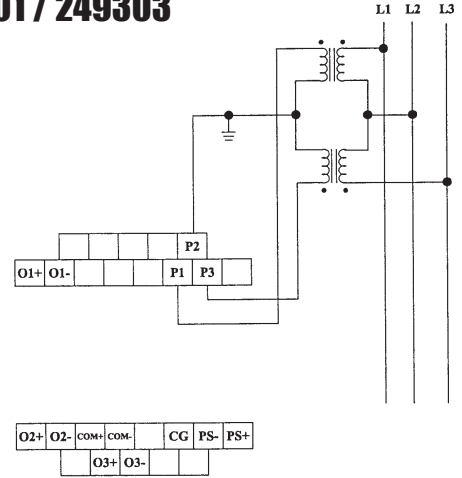
DIGITAL SWITCHBOARD METER

Terminal Connections (see page 21 for notes)

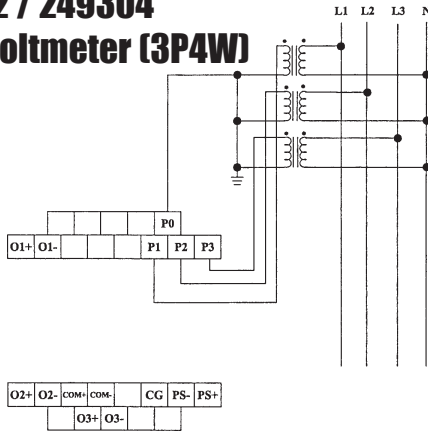
249305 / 249306 3 in 1 Ammeter



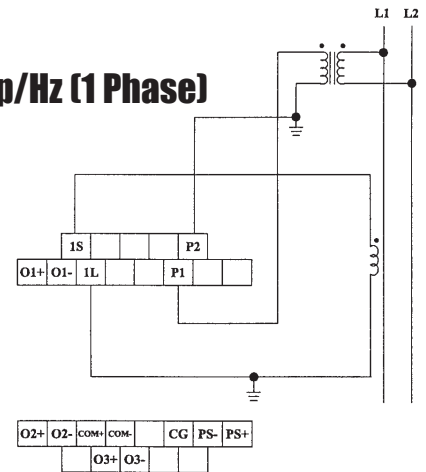
249301 / 249303



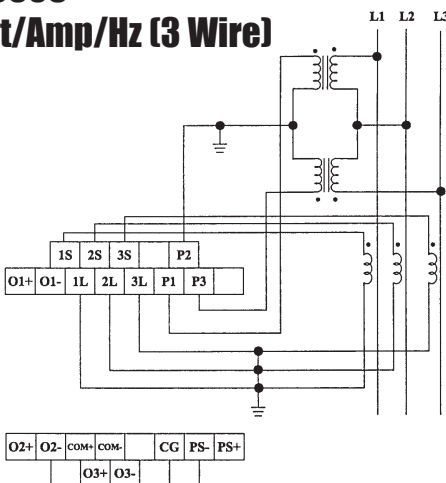
249302 / 249304 3 in 1 Voltmeter (3P4W)



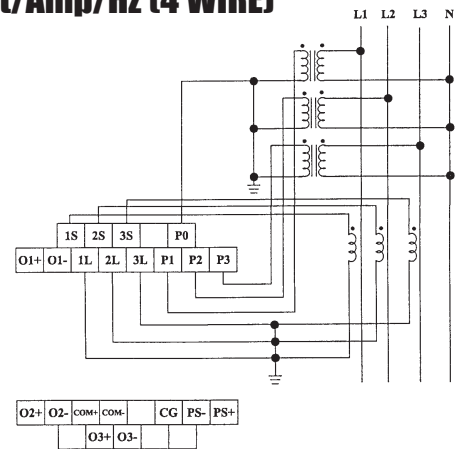
249307 Volt/Amp/Hz (1 Phase)



249308 Volt/Amp/Hz (3 Wire)



249309 Volt/Amp/Hz (4 WIRE)



POWER SERIES^{Plus}

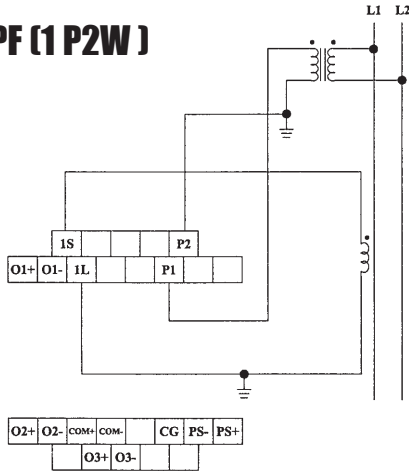
DIGITAL SWITCHBOARD METER



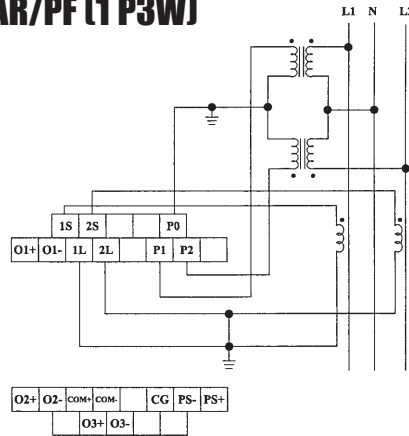
2493

Terminal Connections (see notes below)

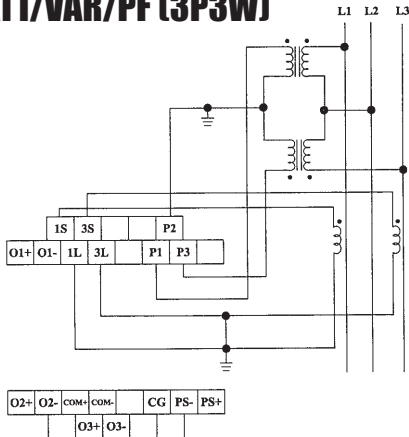
249334
W/VAR/PF (1 P2W)



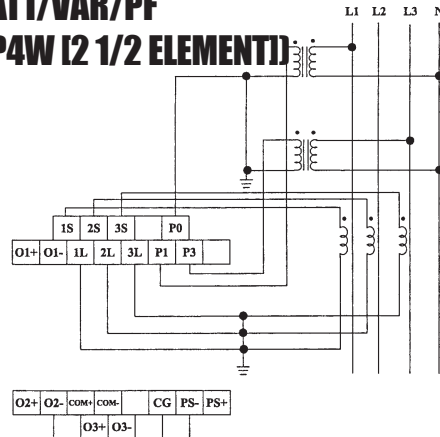
249335
W/VAR/PF (1 P3W)



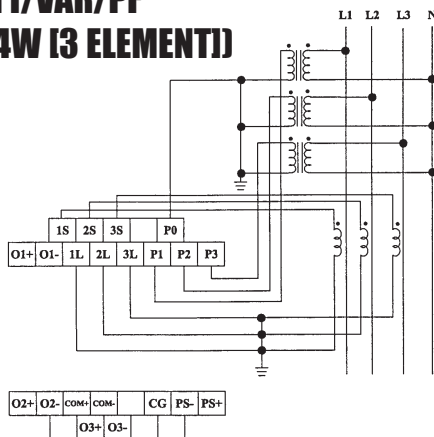
249336
WATT/VAR/PF (3P3W)



249337
WATT/VAR/PF
(3P4W [2 1/2 ELEMENT])



249338
WATT/VAR/PF
(3P4W [3 ELEMENT])



NOTES FOR 2493 CONNECTION DRAWINGS:

PS+ is positive Power Supply connection (line voltage for AC supplies).

PS- is negative Power Supply connection (neutral for AC supplies).

CG is chassis ground. This connection must be made for 125VDC units only.

O1, O2, O3 are analog outputs corresponding to Top Display (O1), Middle Display (O2), Bottom Display (O3).



2493



2492

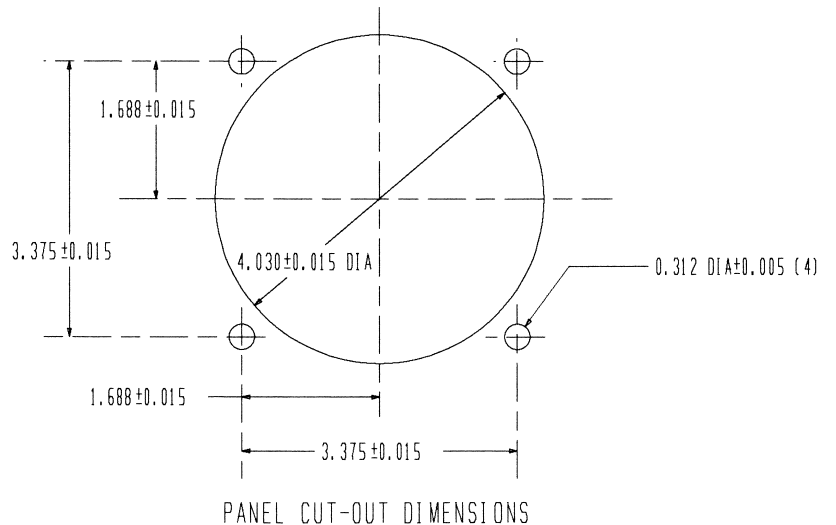
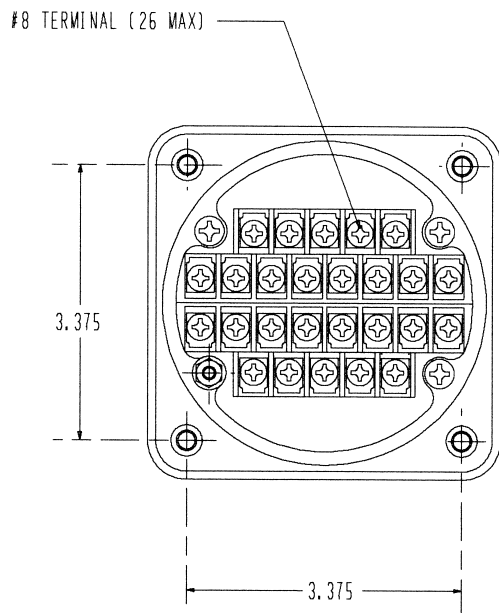
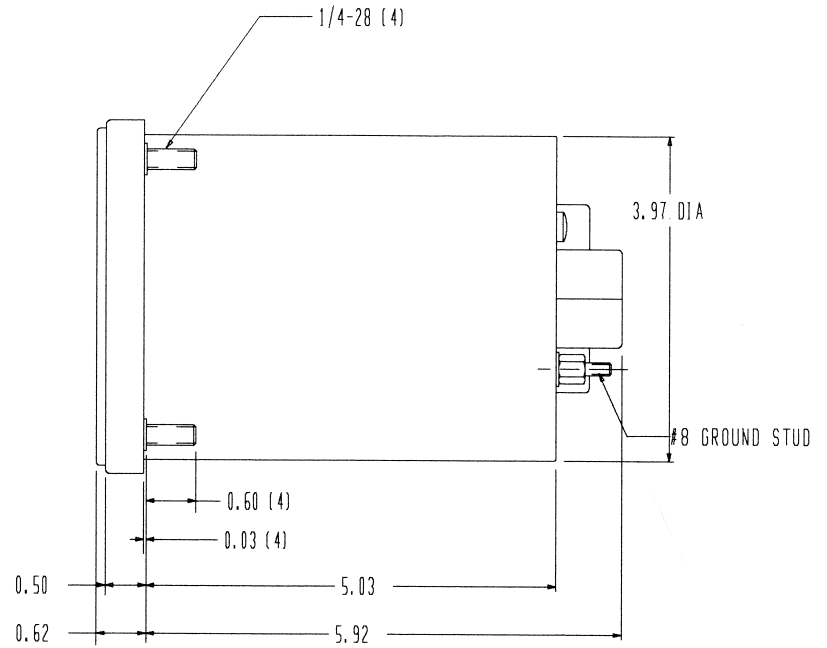
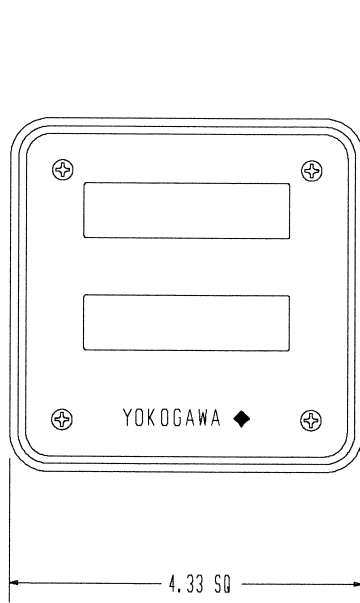


2491

POWER SERIES^{Plus}

DIGITAL SWITCHBOARD METER

The POWER SERIES^{Plus} is enclosed in a rugged steel case treated with zinc chromate to resist corrosion. The cover assembly and faceplate are constructed of high temperature polycarbonate material and have several gaskets which seal out dust and moisture from the front cover. The 26 position terminal board is a glass-filled polycarbonate material with #8 nickel-plated brass terminals inserted per the connection drawings for the model selected.



A Commitment to Innovation

Since our establishment in the United States in 1957, Yokogawa Corporation of America (YCA) has become a leading North American manufacturer and supplier of Test and Measurement, Field Instrumentation (Flow, Pressure and **Analytical Products**), Process Control Equipment, Information Products

Headquartered just south of Atlanta, Georgia, YCA has sales offices across the United States. Our commitment to our customers is our number one priority, and we back it up with a network of representatives and distributors that reflect this commitment. Our 132 manufacturing and service locations give us a presence on every major continent, which means we have the global resources to support all your application needs.

Our parent company, Yokogawa Electric Corporation, is dedicated to developing the most advanced control and instrumentation products and systems in the world. As a major global player, the company anticipates the needs of the times, continually tackling new challenges and exploring new markets in order to provide the best solutions in the world.

Yokogawa's commitment to innovation is reflected in our extraordinary investments in R&D, which ensure development of the most advanced products and services. As a result, we have secured more than 4,500 patents and registrations, representing a number of important innovations, including the world's first distributed control system and the first digital sensors for flow and pressure measurement.

YOKOGAWA

Yokogawa Corporation of America

2 Dart Rd.

Newnan, GA 30265

770-253-7000 • 800-258-2552

Fax: 770/251-2088

<http://www.yca.com>

Represented By:

